

## Toshiba Solid State Drive PC Upgrade Kit

**Toshiba Solid State Drive:**

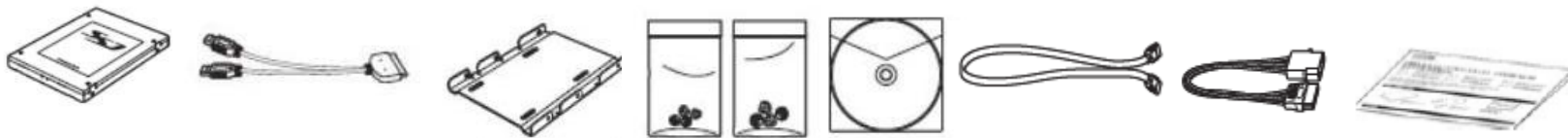


# How to install and use your Toshiba SSD PC Upgrade kit.

# Toshiba Solid State Drive PC Upgrade Kit

## Box Contents:

- Toshiba Solid State Drive pre-loaded with the PC migration software
- USB-SATA Conversion cable
- Bracket and screws
- CD-ROM disc
- SATA signal cable
- SATA power cable
- Quick installation guide



## Toshiba Solid State Drive PC Upgrade Kit

### **The SSD Upgrade Kit:**

- The Toshiba SSD Upgrade Kit allows the transfer of data from the current hard drive to the SSD using the migration software. Both the SSD and the CD have the migration software installed on them.
- The kit includes the parts needed for replacement of the current hard drive with the SSD.
- The kit was designed for both laptop and desktop PCs.

## Toshiba Solid State Drive PC Upgrade Kit

### **Contents of the CD:**

- Data Migration Software
- Open Source Software Info
- User Guide Manual PDF
- Warranty PDF

### **System Requirements:**

- Microsoft® Windows® 7, Windows Vista®, Windows® XP
- Available USB 3.0 Port or USB 2.0 Port

## Toshiba Solid State Drive PC Upgrade Kit

### **Precautions:**

- Keep the SSD in the anti-static bag (shipping configuration) until you are ready to install.
- To minimize static electricity, touch the PC case before handling the SSD.
- Handle the SSD with care. Do not touch the connectors.
- Do not disassemble the SSD or remove the label, doing so will void the SSD warranty.
- Make sure the SSD you are installing has a storage capacity larger than data currently stored on your PC.

## Toshiba Solid State Drive PC Upgrade Kit

### Connecting the SSD to the PC:

1. With the PC powered off, connect the SSD to the USB-SATA Conversion cable's SATA connector.
2. Connect the USB-SATA Conversion cable's USB connectors to the PC.
3. Power on the PC. Make sure all applications programs are closed.



## Toshiba Solid State Drive PC Upgrade Kit

### **Installing the Data Migration Software:**

The NTI Echo software enables you to replicate a source storage drive to a destination storage drive. The entire contents of the source will be copied and Echo will automatically resize the target's partitions if needed.

## Toshiba Solid State Drive PC Upgrade Kit

### Data Migration Procedure:

1. Double-click on the **NTI Echo** desktop icon to launch the NTI Echo software
2. Click **Start** to use the default settings, or make changes to the **Cloning Mode** and **Filter** Options and then click Start.



*Source and destination selection screen*



## Toshiba Solid State Drive PC Upgrade Kit

Data Migration Procedure (cont'd):

### **Cloning Mode Options:**

NTI Echo allows you to select three types of cloning methods.

#### **Dynamic Resize:** (Default setting)

Automatically resizes original hard drive partition to match the new hard drive partition.

#### **One-to-one:**

Retains original hard drive's partition structure and size.

#### **User Defined:**

Enables you to manually adjust the size of the partitions on the new drive.

## Data Migration Procedure (cont'd): Cloning Mode Options (Cont'd)



## Toshiba Solid State Drive PC Upgrade Kit

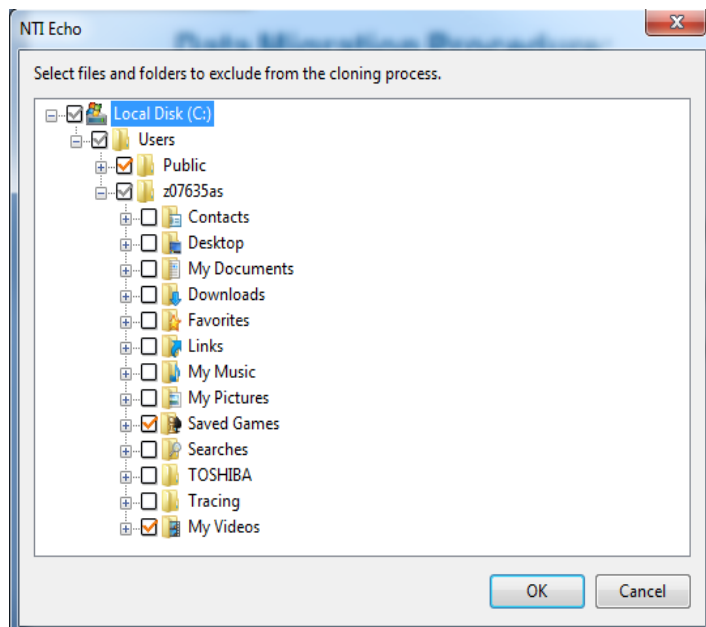
### Data Migration Procedure (cont'd):

You can use filters to exclude files you don't want to migrate to the SSD.

#### Procedure:

1. Click on the **Filter** button.
2. Select the files or folders you want to exclude by checking the box next.
3. Click on **OK** to continue or **Cancel** to cancel.

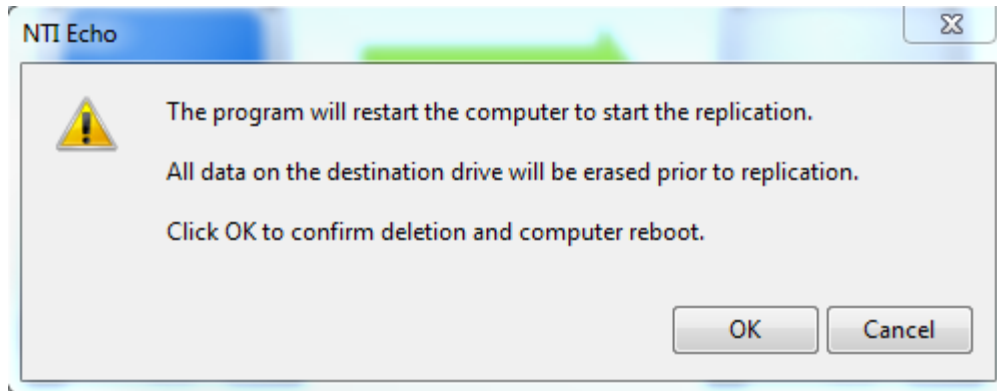
**Note:** The excluded data's capacity will be displayed under the Filter button.



## Toshiba Solid State Drive PC Upgrade Kit

### Data Migration Procedure (cont'd):

4. Once the Cloning Mode and Filter options have been set, select **Start**, and **OK** to restart the PC.



Note: Once the PC restarts, it will boot into a Linux environment and the data replication will occur. After Replication is finished, the PC will power off.

## **Installing the SSD to a Notebook PC:**

Once the data migration is complete install the SSD into the PC

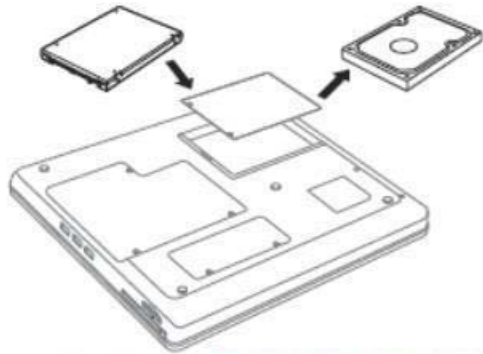
### **Procedure:**

1. After the data transfer has completed and the PC is off, disconnect the power cord.
2. Disconnect the SSD from the USB SATA Cable and disconnect the Cable from the PC.
3. Turn the PC upside down onto a hard flat surface covered with a cloth to prevent the lid from being scratched.
4. On the bottom of the PC, find the hard drive cover. The cover will be a plastic rectangle with one or two screws holding it in place. Remove the screws and the cover.

## Toshiba Solid State Drive PC Upgrade Kit

Installing the SSD to a Notebook PC (cont'd):

5. Replace the hard drive with the SSD



*Replace the HDD with the SSD*

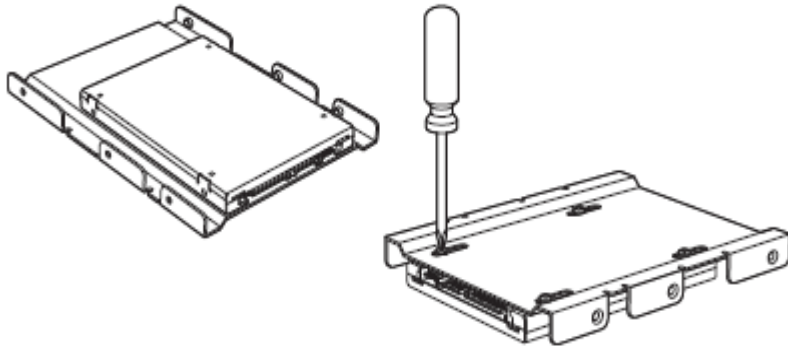
6. Replace the cover and screws.

7. Power on the PC.

## Toshiba Solid State Drive PC Upgrade Kit

### Installing the SSD in a Desktop PC:

1. Make sure the PC is turned off.
2. Remove the HDD from the PC's storage bay.
3. Mount the SSD onto the bracket as shown below.



## Toshiba Solid State Drive PC Upgrade Kit

Installing the SSD in a Desktop PC (cont'd):

4. Mount the bracket into the 3.5 inch bay of your PC, and connect the SSD with the supplied SATA signal cable to the SATA connector in your PC.



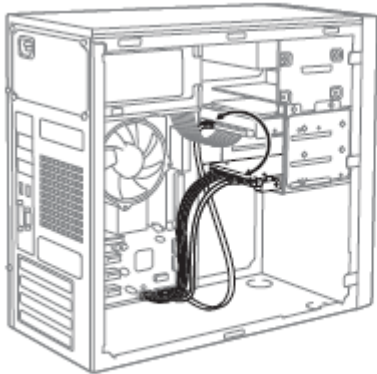
*(Sample Image) SATA signal cable*



## Toshiba Solid State Drive PC Upgrade Kit

Installing the SSD in a Desktop PC (cont'd):

5. Connect the SDD and the PC power supply using the SATA power cable.



*(Sample Image) Desktop SATA connections*

## Toshiba Solid State Drive PC Upgrade Kit

Installing the SSD in a Desktop PC (cont'd):

6. Power on the PC and configure the SSD as primary boot device in the BIOS menu.

**Note:** This may be necessary if the HDD was left in the PC.

7. Restart the PC